

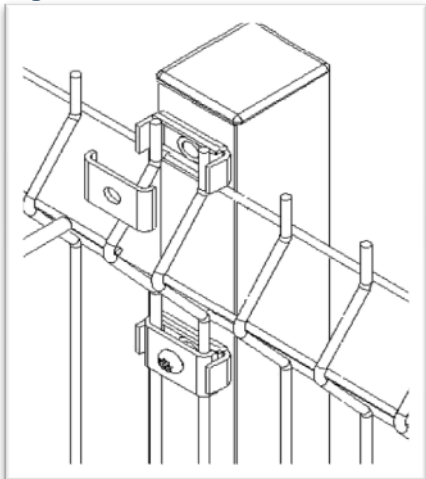
# Stan Dawes Fencing Supply & Install BASTION VT

## SPECIFICATION

BASTION VT panels are manufactured from 5.0mm thick steel wire with profiled horizontal sections that significantly increase the rigidity of the panel. The mesh itself is 50mm x 200mm, fully welded at every intersection. The panels have a barbed edge and a flush edge. The client has the option of installing the barbed edge at the top of the fence, as a deterrent to climbing, or at the bottom, for example where the fencing is one of the lower heights in a playground situation. Please be aware, however, that if you require the barb down option then an inverted clip will need to be ordered. The width of the VT panels suits post centres of approx. 2500mm and the following heights are available as standard:-

Type	Panel Height	No of profile sections	No of clips Per post
VT 1000	1030mm	2	5
VT 1200	1230mm	2	6
VT 1800	1730mm	3	7
VT 2000	1930mm	3	8
VT 2400	2330mm	3	8
Panel Width	2500mm		

The Hexaclip RHS posts are manufactured from 60x40mm steel section and have a unique and patented fixing method specially designed by to give maximum possible resistance to vandalism and attempts to force entry. The welded mesh panels are located on the face of the post with two piece clips fixed with 'anti-tamper' bolts. These clips firmly clamp the end vertical wires, providing an extremely secure fixing.



**POST AND PANEL FIXING**



## PROFILED WELDED MESH PANEL FENCE



### FINISH

Bastion VT is supplied polyester powder coated in a wide choice of colours or as a galvanised only system.

**STYLISHLY APPEALING –**  
*Wide range of colour options*

**UNIQUE HEXACLIP FIXING SYSTEM -**  
*Secure fixing of panels to posts*

**RESILIENT -** *Resistant to general vandalism*

# BASTION GATE

STANDARD SWING GATE SIZES AND OPENINGS TO SUIT THE BASTION VT SYSTEM:-

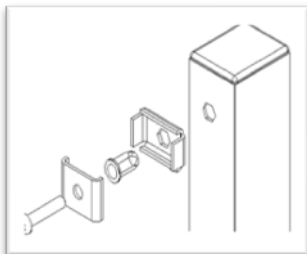
Gate Width	Leaf Type	90 Degree Opening		180 Degree Opening	
		Between Posts	Overall Posts	Between Posts	Overall Posts
1200mm	S/L	1265mm	1425mm	1205mm	1365mm
3000mm	D/L	3120mm	3280mm	3000mm	3160mm
4000mm	D/L	4120mm	4320mm	4000mm	4200mm
5000mm	D/L	5120mm	5420mm	5000mm	5300mm
6000mm	D/L	6120mm	6420mm	6000mm	6300mm
7000mm	D/L	7150mm	7510mm	7020mm	7380mm
8000mm	D/L	8150mm	8510mm	8020mm	8380mm
9000mm	D/L	9150mm	9550mm	9020mm	9420mm
10000mm	D/L	10150m m	10550m m	10020m m	10420m m

## GATE INFILL

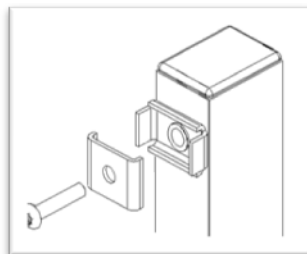
A flat DUO Twin wire mesh infill panel is welded into a standard Bastion swing gate frame. As well as swing gates we can also supply a range of cantilever and tracked sliding gates.



Bastion VT system is ideal where security is required but without an intimidating appearance. It is designed to be resilient and yet remain elegant. This system is capable of blending into it's environment or enhancing the surroundings as a design feature.



Fully Exploded View



As supplied to site

## BRITISH STANDARDS / QUALITY ASSURANCE

Swing Gates and posts are manufactured generally in accordance with (and in some respects exceed) the requirements of BS1722, Part One (for heights of 1.8mtr high and below). The standard width of a single leaf gate is 1200mm wide, enabling it to fall in line with disabled access requirements.

# BASTION VT

*The Professional Choice*