

# Stan Dawes Fencing Supply & Install BASTION DUO

## SPECIFICATION

Bastion Duo panels are manufactured using 6.0mm vertical wires and twin 8.0mm horizontal wires which result in a very strong mesh and a very stable fence. A lighter gauge DUO panel (DUO Lite) is also available incorporating 5.0mm dia. vertical wires and twin 6.0mm dia. horizontal wires. The width of the DUOs panels suits post centres of approx. 2500mm and the following heights are available as standard:-

The mesh is 50mm x 200mm, fully welded at every intersection. Duo gives the option of installing the barbed edge at the top of the fence or at the bottom. The width of the Duo panels suits post centres of approx. 2500mm and the following heights are available as standard:-

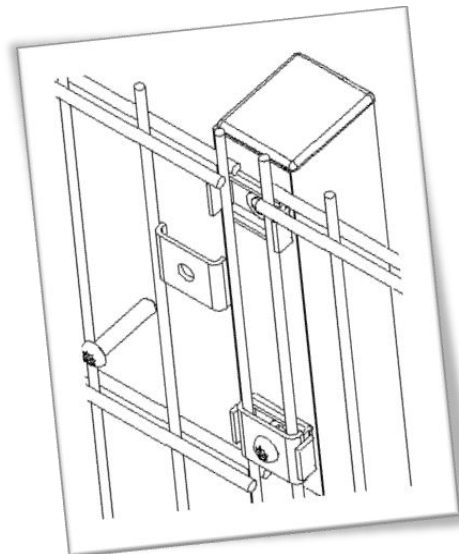
Type	Panel Height	No of clips Per post
Duo 1000	1.03mtr	5
Duo 1200	1.23mtr	6
Duo 1800	1.83mtr	7
Duo 2000	2.03mtr	8
Duo 2400	2.43mtr	8

The Hexaclip RHS posts are manufactured from 60x40mm steel section and have a unique and patented fixing method specially designed by to give maximum possible resistance to vandalism and attempts to force entry. The welded mesh panels are located on the face of the post with two piece clips fixed with 'anti-tamper' bolts. These clips firmly clamp the end vertical wires, providing an extremely secure fixing.

*The Professional Choice*



**WELDED MESH  
PANEL FENCE**



**STYLISHLY APPEALING –**  
*Wide range of colour options*

**HEXA CLIP FIXING SYSTEM –**  
*Secure fixing of panels to posts*

**STRONG AND RESILIENT –**  
*Resistant to general vandalism*



# BASTION GATE

STANDARD SWING GATE SIZES AND OPENINGS TO SUIT THE **BASTION DUO** SYSTEM:-

Gate Width	Leaf Type	90 Degree Opening		180 Degree Opening	
		Between Posts	Overall Posts	Between Posts	Overall Posts
1200mm	S/L	1265mm	1425mm	1205mm	1365mm
3000mm	D/L	3120mm	3280mm	3000mm	3160mm
4000mm	D/L	4120mm	4320mm	4000mm	4200mm
5000mm	D/L	5120mm	5420mm	5000mm	5300mm
6000mm	D/L	6120mm	6420mm	6000mm	6300mm
7000mm	D/L	7150mm	7510mm	7020mm	7380mm
8000mm	D/L	8150mm	8510mm	8020mm	8380mm
9000mm	D/L	9150mm	9550mm	9020mm	9420mm
10000mm	D/L	10150mm	10550mm	10020mm	10420mm

## GATE INFILL

A flat DUO Twin wire mesh infill panel is welded into a standard Bastion swing gate frame. As well as swing gates we can also supply a range of cantilever and tracked sliding gates.



## BRITISH STANDARDS / QUALITY ASSURANCE

Swing Gates and posts are manufactured generally in accordance with (and in some respects exceed) the requirements of BS1722, Part One (for heights of 1.8mtr high and below). The standard width of a single leaf gate is 1200mm wide, enabling it to fall in line with disabled access requirements.

## EXTRA GATE POST REQUIREMENTS

All Swing gates can be manufactured to open in or out as required, and all gate posts are available free standing or to fit within the fenceline.

*The Professional Choice*

**NEW**

**BASTION DUO  
XTRA**



*'Secured By Design' is the UK Police Flagship Initiative supporting the principles of 'designing out crime' by use of effective crime prevention. Fencing Systems marked with the SBD logo have been independently tested and approved to SBD standards.*

## SPECIFICATION

Using the traditional DUO Panel with the Hexafix 60 x 40mm steel post. The Panels are secured to the face of the post by a flatbar and tamper resistant bolts. For added security three U clip sets are attached at set spacings, providing an extremely secure fence. This fixing method has been specially designed to give maximum possible resistance to vandalism and attempts to force entry.



## SECURED BY DESIGN FENCE –

*Police listed and approved security fencing*

## STYLISHLY UNOBTRUSIVE –

*Wide choice of colour options*

## VANDAL-RESISTANT –

*Additional security features over standard DUO fencing*

