

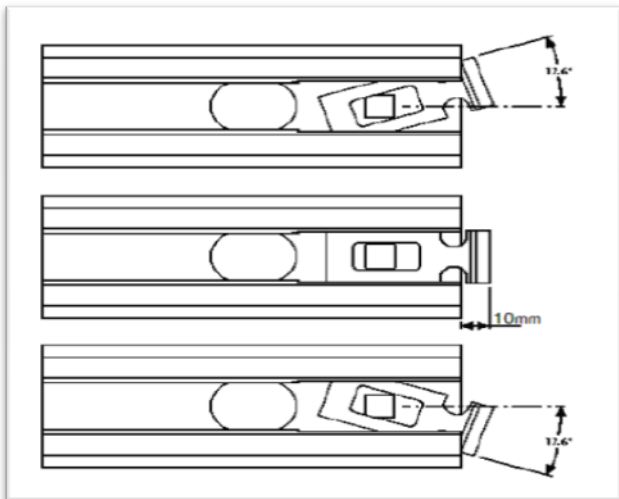
Stan Dawes Fencing Supply & Install BASTION CONTOURAIL

The Bastion Contourail range offers the most innovative selfraking fencing system which makes fast, easy and economical installation possible, even on sloping or undulating ground conditions. Contour railing's unique non welded design enables it to be assembled after coating which means that colour combination options are many and varied, even within an individual panel.



IMPROVED RAIL

The design of the HD horizontal rail means that the installer can adjust the railing on site to follow ground contours, and accommodate any changes in direction, as he proceeds around the fenceline.



The HD rail can withstand a downward pressure of up to 200kg with no permanent sag, therefore no ground tube centre supports are required. Traditional Contour railing can rake to 800mm and Standard Bow Top to 550mm per panel.



SELF ADJUSTING RAILING SYSTEMS

CHOICE OF SPECIFICATIONS –

From 'RoSPA compliant' playgrounds through to 'Police approved' security

SELF-RAKING PANELS –

For simplified and faster installation

DESIGN OPTIONS –

Capped, mitred, finial, bow top

MULTICOLOUR OPTIONS –

Hundreds of colour combinations, even within a single panel



STYLES AVAILABLE

STANDARD CAPPED TOP, MITRED TOP, OR SQUARE BAR

Standard capped top, mitred top, or square bar are traditional styles where the verticals protrude top and bottom of the twin horizontals.

STANDARD BOW TOP

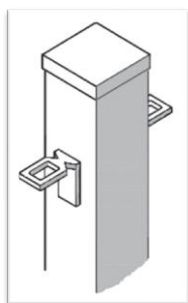
The overall effect of this style is to give a contemporary feel to a time-honoured design. This system is ideal for the housing sector.

PLAYGROUND BOW TOP

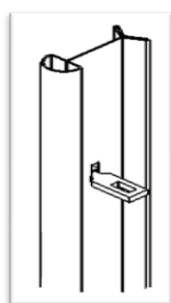
This system is manufactured to RoSPA guidelines, which means there are no head traps, finger traps or neck traps.

SECURITY CAPPED AND MITRED TOP

Security capped and mitred have closer vertical bar spacings, ideal when extra security or safety is needed.



SHS POST



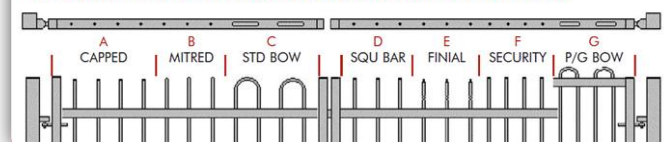
HD POST

CONTOURAIL GATE

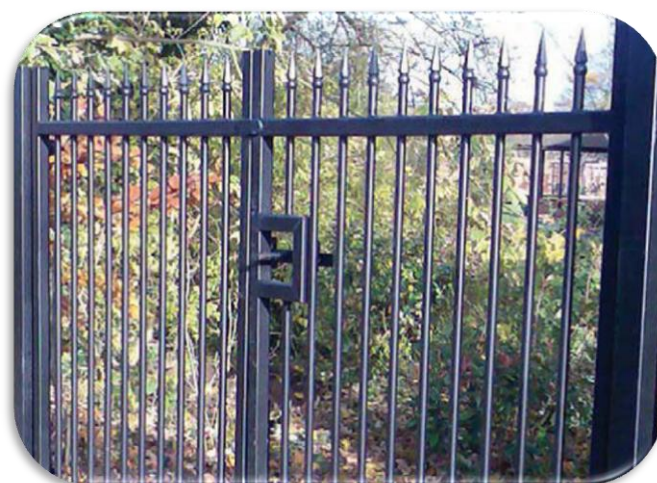
STANDARD SWING GATE SIZES AND OPENINGS TO SUIT THE CONTOUR RANGE.

Gate type	Height							Between post dimension									
	0.9mtr	1.0mtr	1.2mtr	1.5mtr	1.8mtr	2.0mtr	2.4mtr	(90°) opening gates					(180°) opening gates				
								S/L	D/L	D/L	D/L	D/L	S/L	D/L	D/L	D/L	D/L
A	X	✓	✓	✓	✓	✓	✓	1200mm	3000mm	4000mm	5000mm	6000mm	1200mm	3000mm	4000mm	5000mm	6000mm
B	X	X	X	X	X	✓	✓	1310mm	3100mm	4100mm	5100mm	6100mm	1250mm	2980mm	3980mm	4980mm	5980mm
C	✓	✓	✓	✓	✓	✓	X	1310mm	3100mm	4100mm	5100mm	6100mm	1250mm	2980mm	3980mm	4980mm	5980mm
D	X	X	X	X	✓	✓	✓	1310mm	3100mm	4100mm	5100mm	6100mm	1250mm	2980mm	3980mm	4980mm	5980mm
E*	X	✓	✓	✓	✓	✓	✓	1310mm	3100mm	4100mm	5100mm	6100mm	1250mm	2980mm	3980mm	4980mm	5980mm
F	X	X	X	X	✓	✓	✓	1310mm	3190mm	4220mm	5250mm	6280mm	1250mm	3070mm	4100mm	5130mm	6160mm
G	✓	✓	✓	✓	✓	X	X	1380mm	3210mm	X	X	X	1320mm	3090mm	X	X	X

* Sphere top available from 1.0mtr to 1.5mtr high, spire top and point top available from 1.8mtr to 2.4mtr high.



All the gates are supplied with internal lockable dropbolt and lockable sliplatch as standard. For self closing gates please contact us for further information. We offer a full range of standard gates, which are available in both single and double leaf. As well as swing gates we also supply a range of cantilever and tracked sliding gates



On our Security Capped & Mitred System

BASTION CONTOURAIL

The Professional Choice

